

## MANO Vision type 23780



Correct use: Disinfection approval and turnstile release

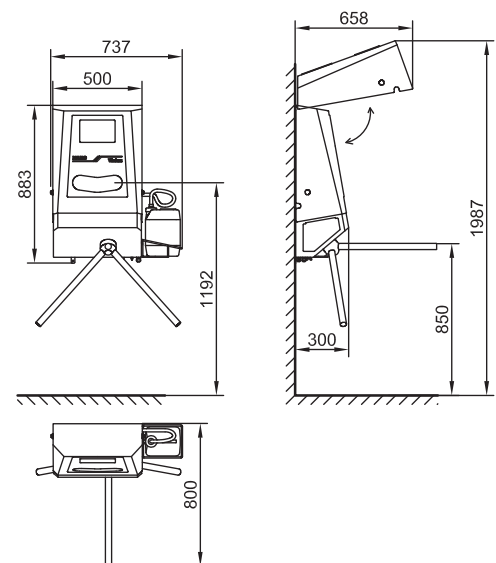
## Avoid missing areas during hand disinfection!

- The MANO Vision type 23780 monitors hand disinfection by means of a camera. On this newly developed disinfectant dispenser, the camera checks whether both hands really have been held in the disinfection area and whether the position of the hands is optimal for disinfection
- To maximise the disinfection effect, the disinfectant is only dispensed from the MANO Vision if the fingers are spread within the disinfection area. The user is able to track the correct position of the hands on the display
- The access to the high risk production areas will only be granted by release of the motor driven turnstile, if the disinfection process has been successfully completed
- Camera controlled hand cleaning prevents the disinfection procedure from being manipulated
- The MANO Vision is controlled by means of an integrated computer. A wide range of parameter data can be analysed, such as the amount of disinfectant left in the canister or the number of times it has been used
- Registered for patent: 10 2013 104 556-

### Technical data

Type	MANO Vision Type 23780
Power supply	230V/N/PE
Network frequency	50 to 60 Hz
Nominal power	0.3 Kw
Voltage	24V DC
Protection class	IP65

Technical data may be subject to changes



## Contact

CN: shanghai@frontmatec.com  
Phone: +86 215 859 4850

DK: kolding@frontmatec.com  
Phone: +45 763 427 00

NL: rijssen@frontmatec.com  
Phone: +31 886 294 000

UK: birmingham@frontmatec.com  
Phone: +44 121 313 3564

itec-hygiene.com  
frontmatec.com

DE: hygiene@frontmatec.com  
Phone: +49 252 185 070

ES: barcelona@frontmatec.com  
Phone: +34 932 643 800

RU: moscow@frontmatec.com  
Phone: +7 495 424 9559

US: kansascity@frontmatec.com  
Phone: +1 816 891 2440